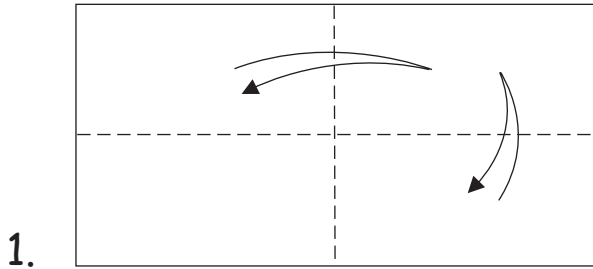
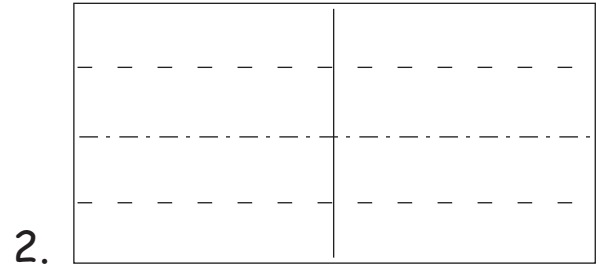


# Caterpillar on a leaf

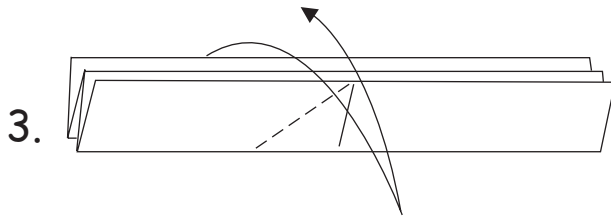
by Eugeny Fridrikh



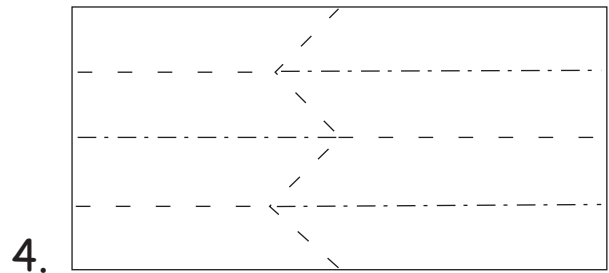
Start with 1:2 rectangular sheet of paper colored green/white. White side up.



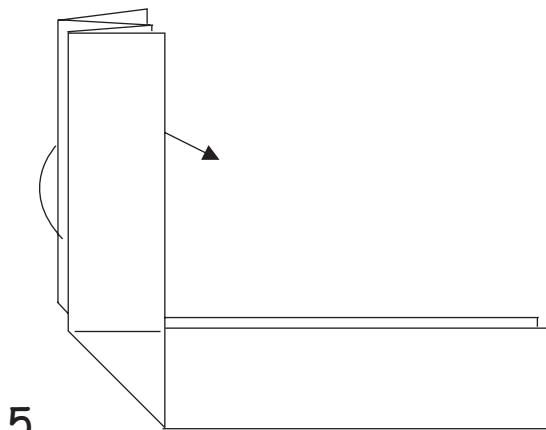
Precrease valley and mountain folds, then make the zig-zag.



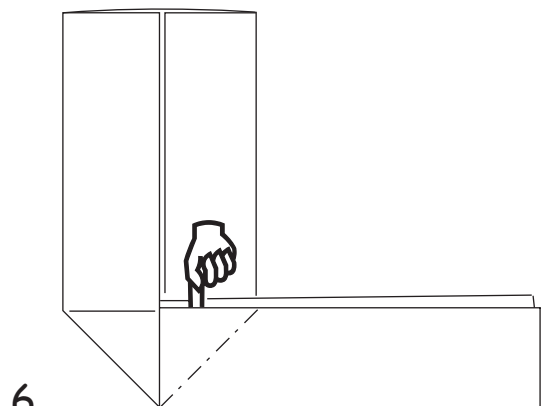
Precrease and return to step 2.



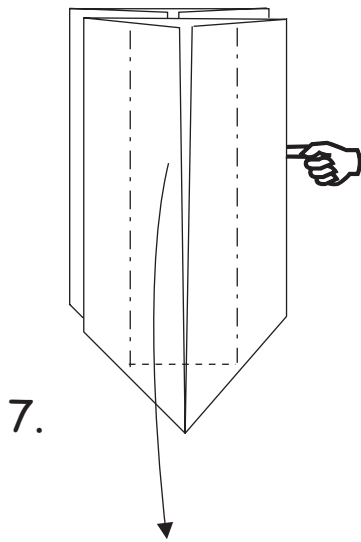
Form the model, using the creases were made before.



Turn back layer.

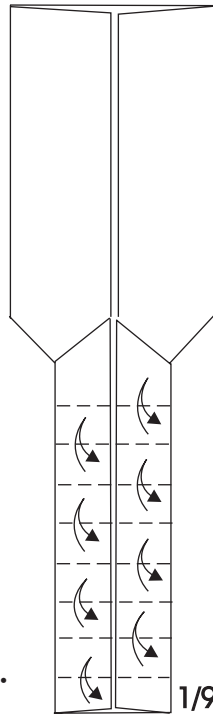


Squash-fold.



7.

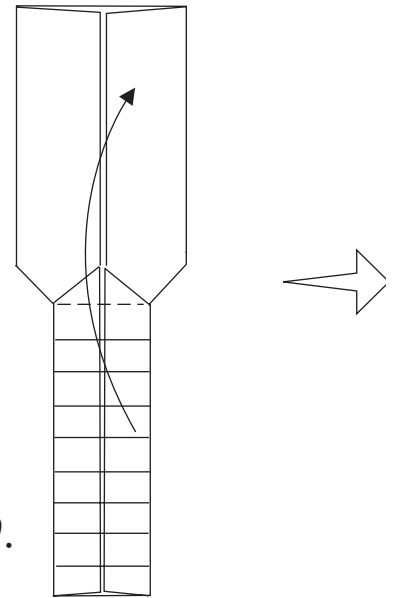
Petal fold with one layer.



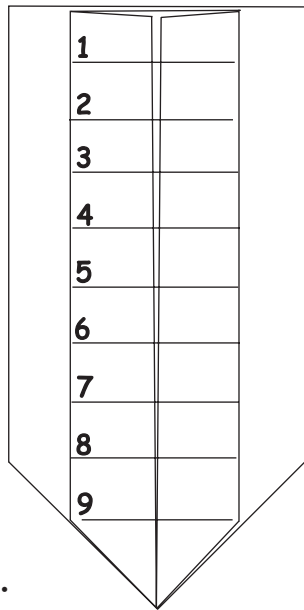
8.

1/9

Divide the strip on 9 parts.

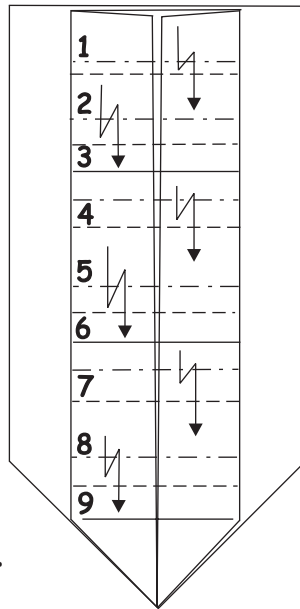


9.



10.

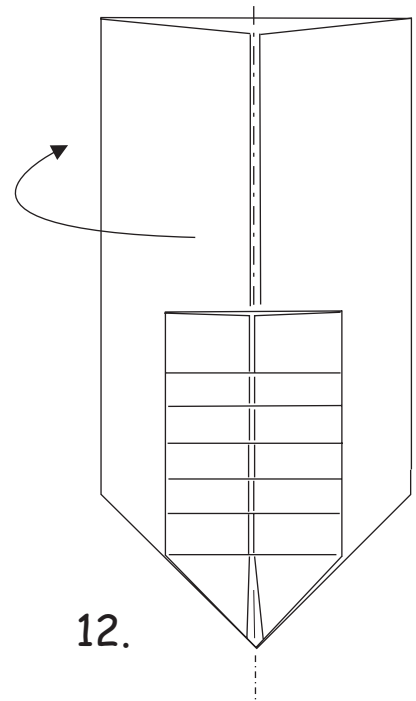
Note the 9 rectangles



11.

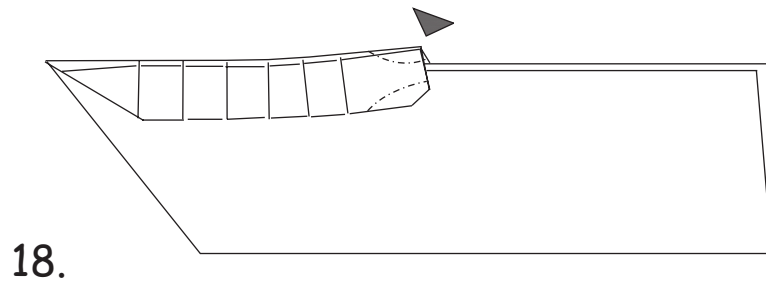
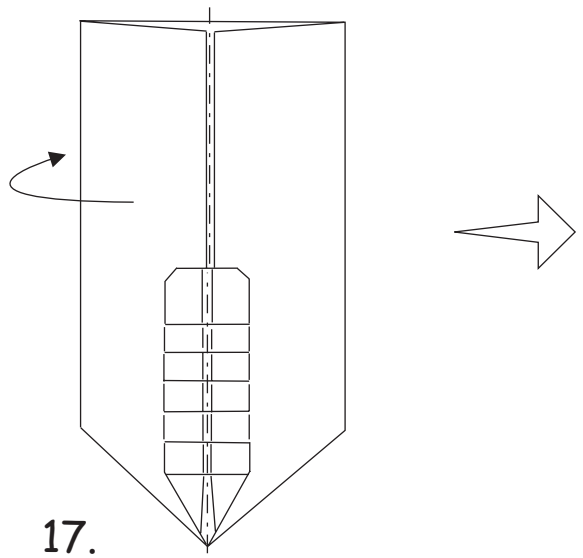
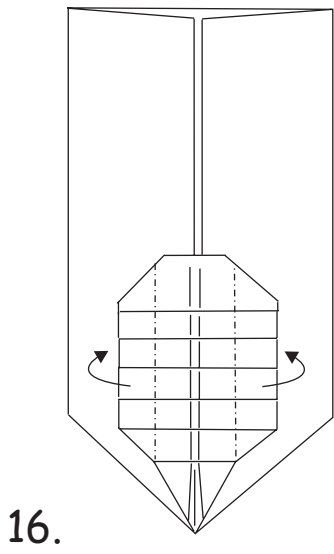
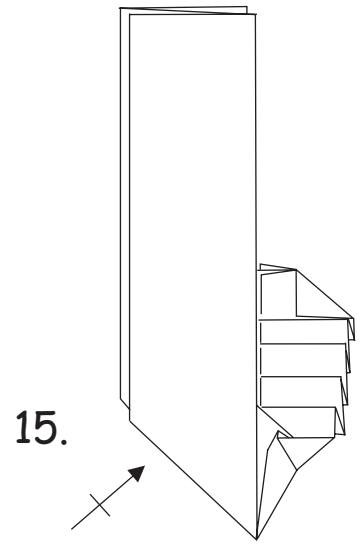
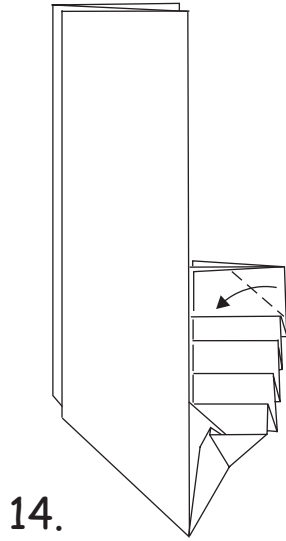
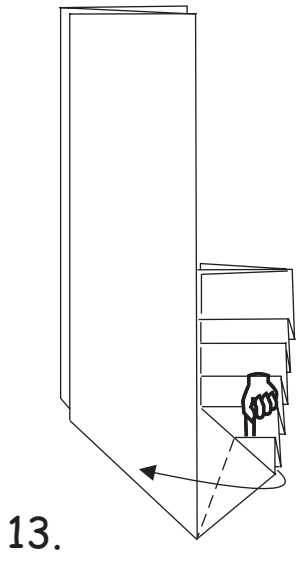
Pleat.

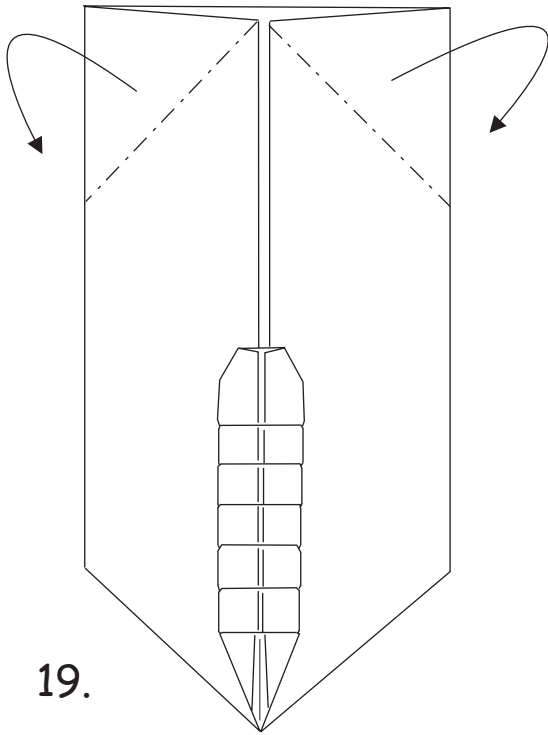
Keep attention: see on the figures!



12.

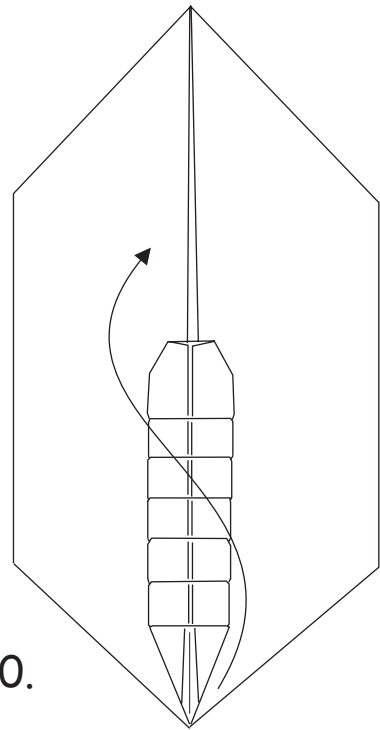
Fold back layer in half.





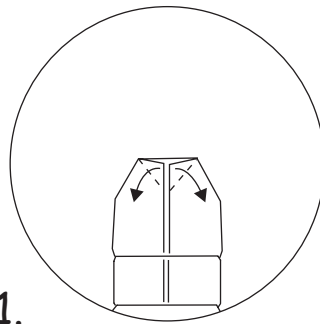
19.

Back air-plane fold.



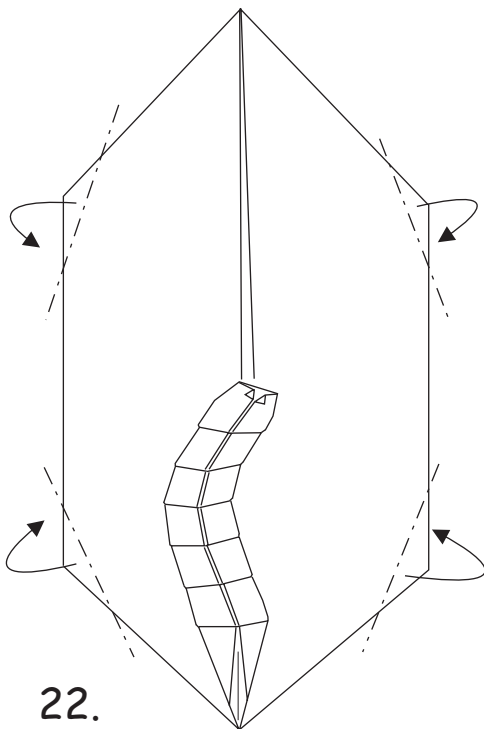
20.

Curve the caterpillar's body.



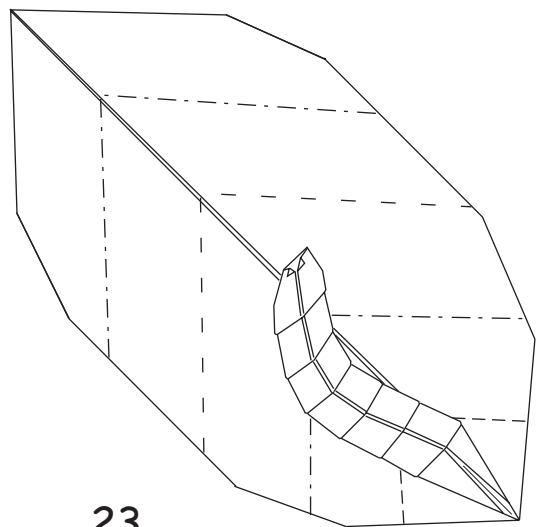
21.

Making the eyes.



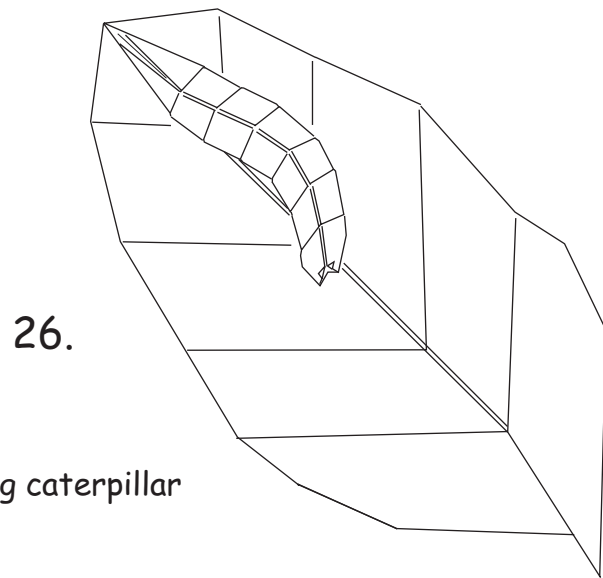
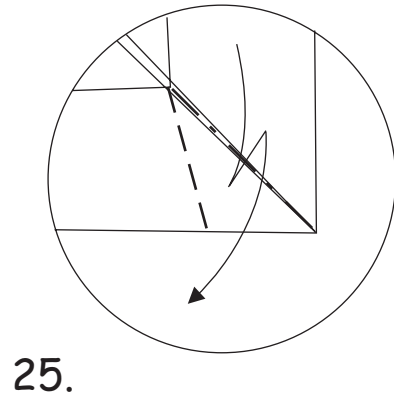
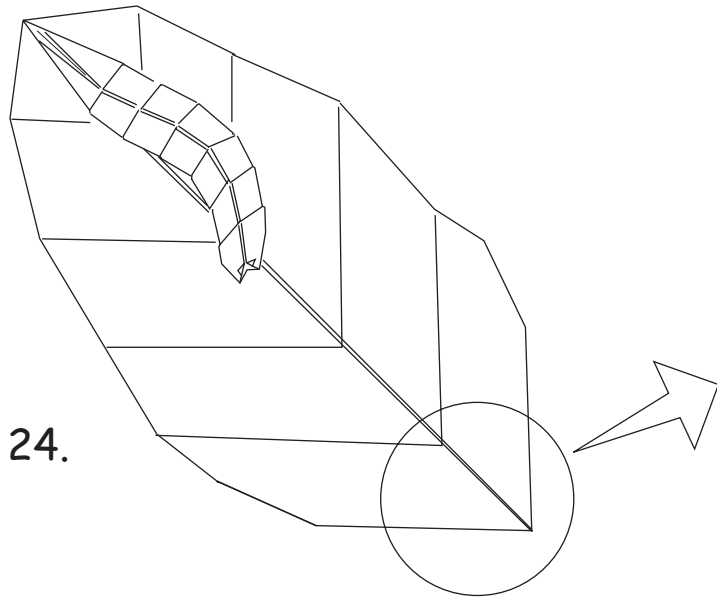
22.

Form the leaf's shape.



23.

...The same too.



The leaf with crawling caterpillar completed!

